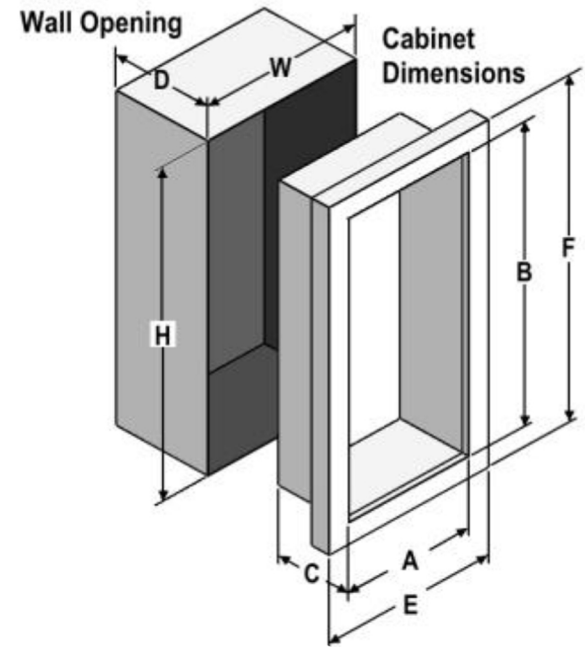


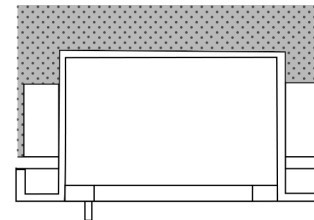
### SQUARE TRIM SUBMITTAL : DIMENSIONS

TRIM & DOOR SERIES #		Tub I.D.			Frame O.D.		Wall Opening		
Model	Trim Style	A	B	C	E	F	W	H	D
8126	1-1/2" Square	9	18	5 1/2	12 3/8	21 3/8	10	19	4 1/8
1826	1-1/2" Square	10 1/2	24	5 1/2	13 7/8	27 3/8	11 1/2	25	4 1/8
1026	1-1/2" Square	10 1/2	24	6	13 7/8	27 3/8	11 1/2	25	4 5/8
2026	1-1/4" Square	12	27	7 3/4	15 3/8	30 3/8	13	28	6 5/8
3026	1-1/4" Square	16	32	7 3/4	19 3/8	35 3/8	17	33	6 5/8
4026	1-1/4" Square	20	27	7 3/4	23 3/8	30 3/8	21	28	6 5/8

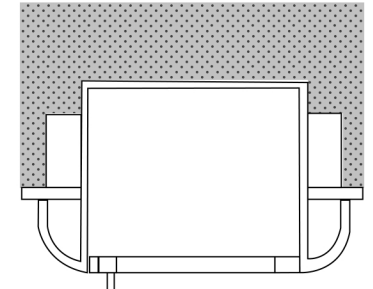


### ROLLED TRIM SUBMITTAL : DIMENSIONS

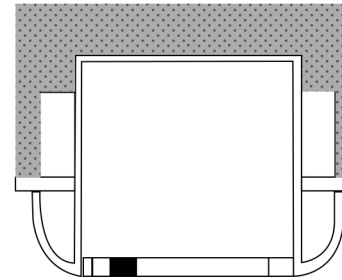
TRIM & DOOR SERIES #		Tub I.D.			Frame O.D.		Wall Opening		
Model	Trim Style	A	B	C	E	F	W	H	D
8127	2-1/2" Rolled	9	18	5 1/2	12 3/8	21 3/8	10	19	3 3/4
2027	2-1/2" Rolled	12	27	7 3/4	15 3/8	30 3/8	13	28	6
3027	2-1/2" Rolled	16	32	7 3/4	19 3/8	35 3/8	17	33	6
4027	2-1/2" Rolled	20	27	7 3/4	23 3/8	30 3/8	21	28	6
1827	3" Formed Rolled	10 1/2	24	5 1/2	13 7/8	27 3/8	11 1/2	25	2 5/8
1027	3" Formed Rolled	10 1/2	24	6	13 7/8	27 3/8	11 1/2	25	3 1/8
1828	4-1/2" Rolled	10 1/2	24	5 1/2	13 7/8	27 3/8	11 1/2	25	1 3/4
1028	4-1/2" Rolled	10 1/2	24	6	13 7/8	27 3/8	11 1/2	25	2 1/4
2028	4-1/2" Rolled	12	27	7 3/4	15 3/8	30 3/8	13	28	4
3028	4-1/2" Rolled	16	32	7 3/4	19 3/8	35 3/8	17	33	4
4028	4-1/2" Rolled	20	27	7 3/4	23 3/8	30 3/8	21	28	4



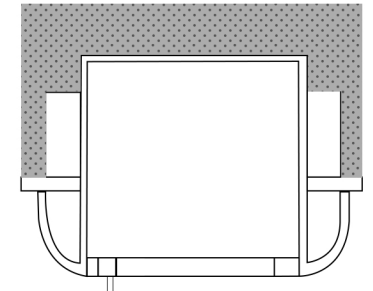
1-1/2" Square Trim



2-1/2, 3" Rolled Edge



4" Rolled-Flush Pull



4.5" Rolled Edge

### ROLLED-FLUSH PULL TRIM SUBMITTAL : DIMENSIONS

TRIM & DOOR SERIES #		Tub I.D.			Frame O.D.		Wall Opening		
Model	Trim Style	A	B	C	E	F	W	H	D
1822	4" Rolled-Flush Pull	10 1/2	24	5 1/2	13 7/8	27 3/8	11 1/2	25	2 1/2
1022	4" Rolled-Flush Pull	10 1/2	24	6	13 7/8	27 3/8	11 1/2	25	3
2022	4" Rolled-Flush Pull	12	27	7 3/4	15 3/8	30 3/8	13	28	4 3/4
3022	4" Rolled-Flush Pull	16	32	7 3/4	19 3/8	35 3/8	17	33	4 3/4
4022	4" Rolled-Flush Pull	20	27	7 3/4	23 3/8	30 3/8	21	28	4 3/4